



Quick Start Guide

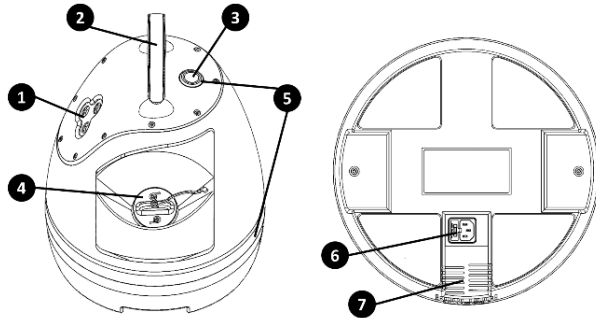
Contacting Build With Robots

For product information, sales, service, and technical support:

Phone: (833) 273-3991

Email: info@buildwithrobots.com

Product Overview



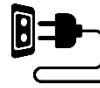
Overview of Breezy Blue Response device. Top/side view (left) and bottom view (right).

1. Fog outlet
2. Handle
3. Fogger enable/disable button
4. Fill port cap
5. Status lights (waist and button)
6. Power connector
7. Air intake

Waist Status Light Behavior

Status	LED behavior
Booting, not ready for use	Solid Cyan
Disabled	Solid Yellow
Idle (ready)	Solid Blue
Countdown to Fogging	Flashing Red
Fogging	Solid Red
Settling	Flashing Yellow
Error	Flashing Magenta

Quick Setup



Connect power. Plug in the included power cord to the power connector (6) and a wall outlet. Device lower status light (5) will turn blue (if button un-depressed) or yellow (if button depressed) to indicate it is powered on and ready to use.



Add Solution. Open fill port cap (4). Pour in up to 3.8L (1 gal) of BWR-approved solution. Replace cap.



(Optional) Configure Settings with the Controller. Adjust the fogging duration and countdown duration as needed. Breezy Smart Controller is not included and may be purchased separately.



Ready to Fog. Depress the fogger enable button (3) (if yellow, press once; if blue, press two times) or use the Smart Controller to begin fogging. The default fogging duration is 30 seconds.

Operating Overview

This document contains information for the following Breezy Blue Response product. Refer to the User Manual and Specifications for complete operating information and product specifications. Use the device only in the manner

specified by the User Manual; failure to do so may impair correct operation of the equipment and the protections provided by it.

Power Source

This device operates from a single-phase power source with the neutral conductor at or near earth ground. A protective ground connection through the grounding conductor in the power cord is important for safe operation.

Power the device on by connecting the supplied power cord to the power connector on the underside of the device and to a wall outlet. To remove power completely, disconnect the power cord from the underside of the device or from the wall outlet. Do not power device from outlets that are difficult to access in case of emergency.

Clearance Requirements

Keep all slots and openings clear of obstruction. For guidance on recommended clearance for a given area, refer to the User Manual.

Specifications

For indoor, dry location use only.

Characteristic	Description
SKU	BBR01
Rated Voltage Range	110-120VAC
Rated Frequency Range	50-60Hz
Rated Power	1080W
Installation Location	Indoor, dry location use only
Temperature	Operating: 5 °C to 40 °C Storage: 5 °C to 60 °C
Humidity	Operating: ≤ 80% RH: 31 °C Storage: ≤ 80% RH: 31 °C
Altitude	Operating: ≤ 3000 m (9,843 ft) Storage: ≤ 12,000 m (39,370 ft)
Flow Rate	About 13.6 L (3.6 gal) per hour of fogging



Additional Information

Further product information and the complete user manual can be found at <https://buildwithrobots.com/support>



Terms and Symbols

These terms and symbols may appear on the product and in this manual:

	Refer to the user manual for warning information to avoid hazard or personal injury and prevent damage to device.
	Alternating current (AC)
CAUTION	CAUTION indicates an imminently hazardous situation which, if not avoided, may result in minor or moderate injury, or product damage.
WARNING	WARNING indicates a hazardous situation which, if not avoided, could result in death or serious injury.

General Safety Summary

WARNING: Before applying power to this device: Read and understand the safety and operational information in this manual. Apply all the listed safety precautions. Make all connections to the instrument before applying power. Do not operate the equipment in ways not specified by this manual or by the manufacturer.

Comply with local and national safety codes.

The product contains no serviceable parts and should not be disassembled by anyone other than the manufacturer and approved technicians.

Retain these instructions for future reference.

To avoid fire or personal injury:

Use proper power cord. Use only the power cord specified for this product and certified for the country of use.

Do not use the provided power cord for other products.

Ground the product. This product is grounded through the grounding conductor of the power cord. To avoid electric shock, the grounding conductor must be connected to earth ground.

Do not disable the power cord grounding connection.

Power disconnect. The power cord disconnects the product from the power source. See instructions for the location. Do not position equipment so that it is difficult to disconnect the power cord; it must remain accessible to the user at all times to allow for quick disconnection if needed.

Do not operate without covers. Do not operate this product with covers or panels removed.

Avoid exposed circuitry. Do not touch exposed connections and components when power is present.

Do not operate with suspected failures. If you suspect that there is damage to this product, have it inspected by qualified service personnel.

Disable the product if it is damaged. Do not use the product if it is damaged or operates incorrectly. In doubt about safety of the product, turn it off and disconnect the power cord. Clearly mark the product to prevent its further operation.

Examine the exterior of the product before you use it. Look for cracks or missing pieces.

Do not operate in wet/damp conditions. Be aware that condensation may occur if a unit is moved from a cold to a warm environment.

Do not operate in an explosive atmosphere. Provide proper ventilation. Refer to the installation instructions for details on installing the product so it has proper ventilation.

Provide a safe working environment. Always place the product in a location convenient for viewing the button and waist-light status indicators.

Use care when lifting and carrying the product. This product is provided with a handle for lifting and carrying.

Use only BWR-approved solution in the product. Consult the safety data sheet and follow the recommended safety precautions when handling the solution and fogging.

Stay away while fogging. Keep the room, vehicle, or immediate area to be treated clear while device is fogging and fog is settling.

Maintenance

Keep product surfaces clean and dry. Inspect the device as often as operating conditions require. To clean the exterior surface, perform the following steps:

1. Remove loose dust on the outside of the instrument with a lint-free cloth.
2. Use a soft cloth dampened with water to clean the instrument. Use an aqueous solution of 70% isopropyl alcohol for more efficient cleaning.

CAUTION: Avoid getting moisture inside the unit during external cleaning. Use only enough cleaning solution to dampen the cloth or swab. To avoid damage to the device, do not expose it to sprays, liquids, or solvents, and do not use any abrasive or chemical cleaning agents.

Compliance Information

This section lists the EMC (electromagnetic compliance), safety, and environmental standards with which the instrument complies.

FCC Compliance

Contains FCC ID: QOQ-BGM220S2

This device complies with part 15 of the FCC Rules. Operation is subject to the following two conditions:

- (1) This device may not cause harmful interference, and
- (2) this device must accept any interference received, including interference that may cause undesired operation.

Class B device notice. NOTE: This equipment has been tested and found to comply with the limits for a Class B digital device, pursuant to part 15 of the FCC Rules. These limits are designed to provide reasonable protection against harmful interference in a residential installation. This equipment generates, uses, and can radiate radio frequency energy and, if not installed and used in accordance with the instructions, may cause harmful interference to radio communications. However, there is no guarantee that interference will not occur in a particular installation. If this equipment does cause harmful interference to radio or television reception, which can be determined by turning the equipment off and on, the user is encouraged to try to correct the interference by one or more of the following measures:

- Reorient or relocate the receiving antenna.
- Increase the separation between the equipment and receiver.
- Connect the equipment into an outlet on a circuit different from that to which the receiver is connected.
- Consult the dealer or an experienced radio/TV technician for help.

RF exposure safety. This product is a radio transmitter and receiver. It is designed not to exceed the emission limits for exposure to radio frequency (RF) energy set by the Federal Communications Commission. The antenna must be installed and operated with a minimum distance of 20 cm between the radiator and your body. This transmitter must not be co-located or operating in conjunction with any other antenna or transmitter.

Equipment Type

Cold fogging solution distribution equipment.

Safety Class

Class 1 – grounded product

Pollution Degree Rating

Pollution Degree 2 (as defined in IEC 61010-1). Rated for indoor, dry location use only.