

Quick Start Guide

Contacting Build With Robots

For product information, sales, service, and technical support:

Phone: (833) 273-3991

Email: info@buildwithrobots.com

Additional Information

Further product information and the complete user manual can be found at <https://buildwithrobots.com/support>



General Information

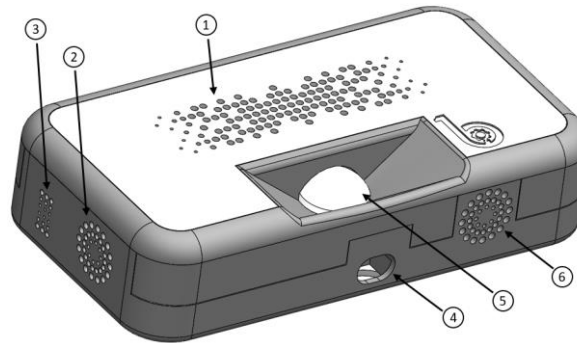
The Breezy Sense™ is an environmental monitoring device. Its many sensors provide insights into air quality, room usage, and disinfection history. Breezy Sense™ works best when used as a part of the Breezy Platform, to learn more, visit <https://buildwithrobots.com>

Contents Included

- 1x 3-meter USB A to C cable
- 1x Breezy Sense w/Back Plate
- 2x Drywall Anchors
- 2x Anchor Screws
- 4X Commander mounting strips
- 2x Breezy Sense Legs
- 2x Leg Screws

Product Overview

Breezy Sense uses an LED indicator to communicate the quality of the air around you and the device's status.



1. Main Intake
2. Secondary Exhaust
3. Secondary Intake
4. USB Connector
5. Motion Sensor
6. Main Exhaust

Note: The airflow around the device must be unobstructed, Avoid mounting or placing the device where any of the intake or exhaust ports will be obstructed.

Note: Mount or place the device where the motion sensor has a clear/unobstructed view of the room, ideally at eye level and centered

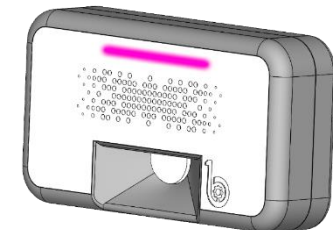
along a wall. For more information about mounting please see the "Hardware Mounting" section.

Device Air Quality Indicator

- █ = Healthy Air Quality
- █ = Fair Air Quality, consider improving air quality by improving ventilation.
- █ = Moderate Air Quality, Minimize time in the room.
- █ = Unhealthy Air Quality, Avoid being in the room without protective equipment

Device Status Indicator

- █ = Device Initializing
- = Device Updating
- ✖ = Device Error

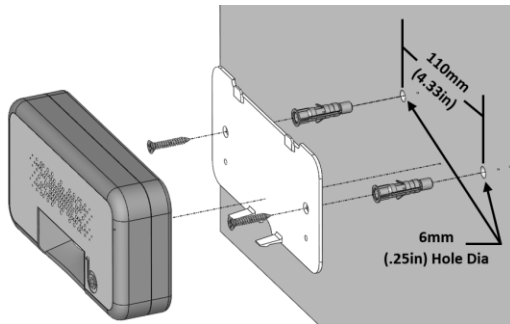


Quick Setup

1. Mount Breezy Sense on tabletop stands, or wall as described in Hardware mounting section below.
2. Power Breezy Sense using the supplied cable and a 5VDC USB power supply.
3. Connect Breezy Sense to Breezy Link following the instructions in the Breezy Link user manual located at <https://buildwithrobots.com/support>

Hardware Mounting

Wall Mount Installation

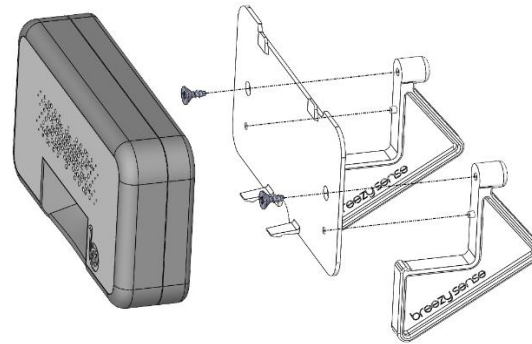


1. Remove the Breezy Sense Back Plate.
2. Drill holes in wall using the guidance above.
3. Insert the drywall anchors into the holes in the wall.
4. Affix the the Back Plate to the wall using the provided screws and a #2 Phillips screwdriver in orientation shown above.
5. Mount Breezy Sense onto the Back Plate by sliding the device onto the top tabs of the Back Plate, then gently pushing down and tilting the Sense toward the wall until there is a click or it is flush with the wall.

Note: The included Command strips can be used as an alternative to the anchors and screws.

Click a pair of the Command strips together, remove the release liner from one of the strips and install on the rear of the Back Plate. Repeat for second command strip pair. Remove remaining release liners and affix the Back Plate to the wall. Mount Breezy Sense onto the back plate as described in note 5 above.

Tabletop Installation



1. Remove the Breezy Sense Back Plate.
2. Attach each leg to the Back Plate making sure the locating pin and screw hole align properly.
3. Install provided leg screws using a #2 screwdriver, tightening until snug.
4. Mount Breezy Sense onto the Back Plate by sliding the device onto the top tabs of the Back Plate, then gently pushing down and tilting the Sense toward the legs until there is a click or it is flush with the Back Plate

Regulatory Information

Contains FCC ID: QOQ-GM220P

This device complies with part 15 of the FCC Rules. Operation is subject to the following two conditions:

- (1) This device may not cause harmful interference, and
- (2) this device must accept any interference received, including interference that may cause undesired operation.

Class B device notice. NOTE: This equipment has been tested and found to comply with the limits for a Class B digital device, pursuant to

part 15 of the FCC Rules. These limits are designed to provide reasonable protection against harmful interference in a residential installation. This equipment generates, uses, and can radiate radio frequency energy and, if not installed and used in accordance with the instructions, may cause harmful interference to radio communications. However, there is no guarantee that interference will not occur in a particular installation. If this equipment does cause harmful interference to radio or television reception, which can be determined by turning the equipment off and on, the user is encouraged to try to correct the interference by one or more of the following measures:

- Reorient or relocate the receiving antenna.
- Increase the separation between the equipment and receiver.
- Connect the equipment into an outlet on a circuit different from that to which the receiver is connected.
- Consult the dealer or an experienced radio/TV technician for help.

RF exposure safety. This product is a radio transmitter and receiver. It is designed not to exceed the emission limits for exposure to radio frequency (RF) energy set by the Federal Communications Commission. The antenna must be installed and operated with a minimum distance of 20 cm between the radiator and your body. This transmitter must not be co-located or operating in conjunction with any other antenna or transmitter.